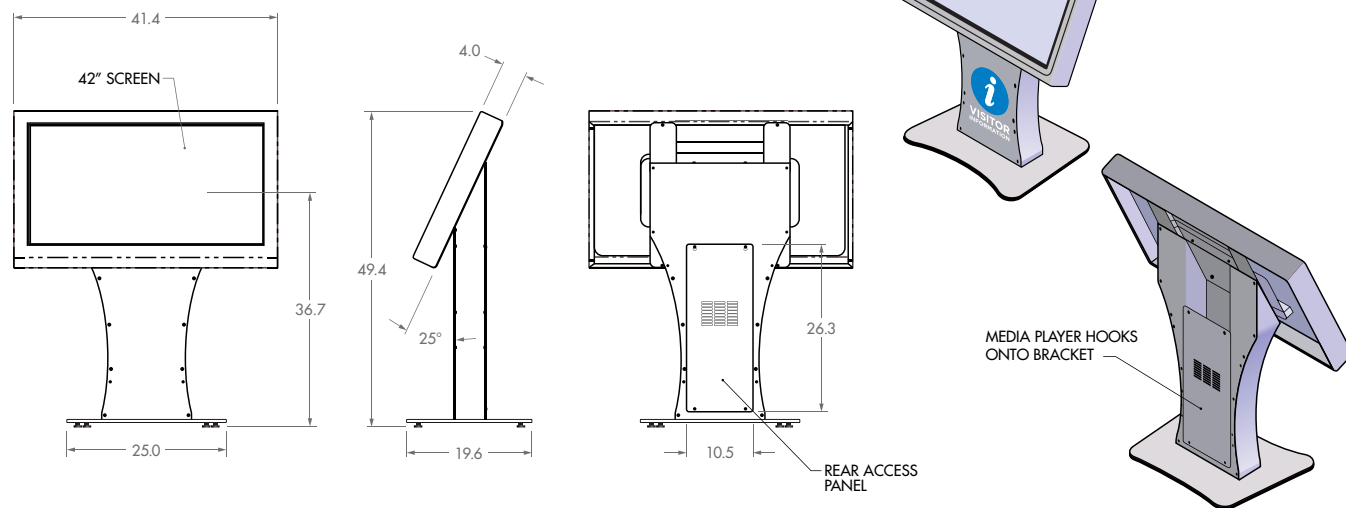
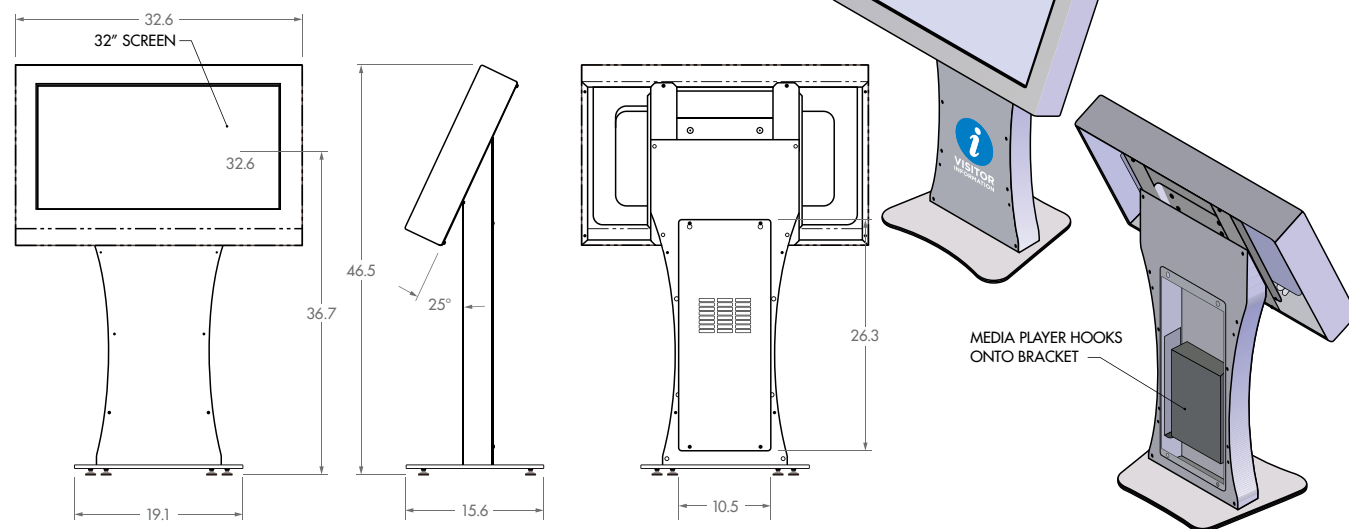


42" MODEL



32" MODEL



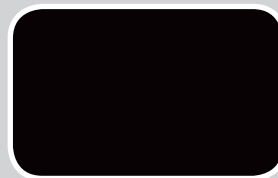
Site Location Provides:

- Standard electric outlet
- 24/7 hard-wired Cat 5 outlet (minimum) without firewall. High-speed wireless connectivity can also be an option. Certified to provide surge protector unit.

AVAILABLE COLORS



SILVER



BLACK

ExploreBoard

Fun at Your Fingertips

NOW AVAILABLE
CALL TODAY!

Providing Helpful Visitor Information to Your Guests

- **6 different languages** – English, Chinese, German, French, Spanish, Portuguese
- **Mapping and directions**
- **Text or email information to mobile devices**
- **Buy tickets or make reservations using mobile devices**
- **Promote Host Location services, amenities, facilities**
- **Available in 32" or 42" touchscreens** (Silver or Black)
- **Only \$195 per month**

All that's needed is power and access to the Internet (WiFi or wired)



CERTIFIED
FOLDER DISPLAY SERVICE, INC.
SINCE 1899

For More Information, Call **800-799-7373**

ExploreBoard@certifiedfolder.com

Enhance Guest Relations

Foster a fun guest experience by providing detailed information about what there is to see and do locally. **ExploreBoard** is an award-winning high definition touch screen display specifically designed for the hospitality and travel industry.

ExploreBoard provides engaging dining, shopping, event and attraction information 24/7 through an interactive experience unique to each guest.

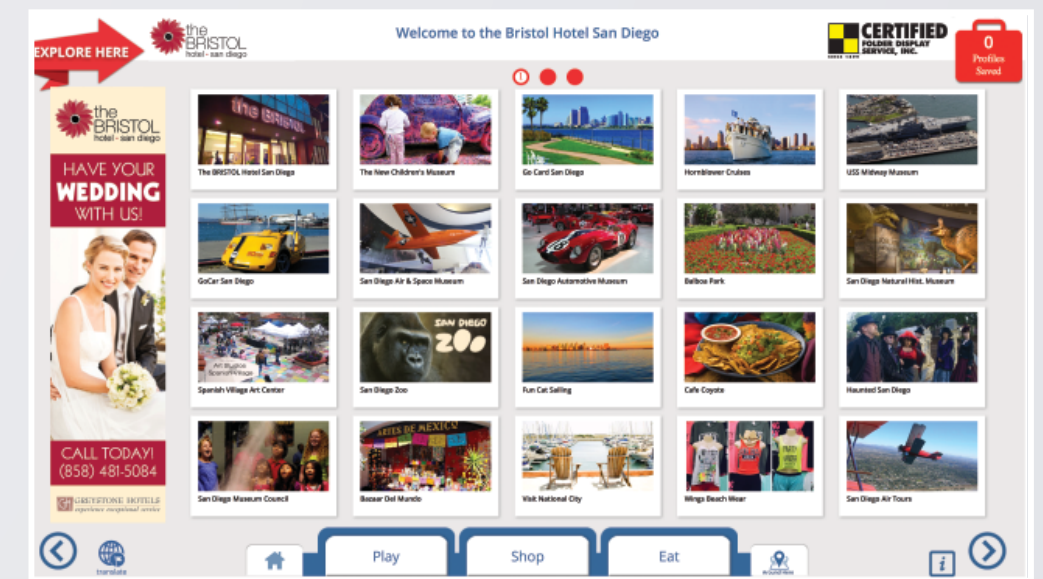
Promote Local Tourism

Connect your guests to local visitor information in an attractive, fun and interactive way. **ExploreBoard** provides the descriptions, photos, videos, and directions for great local businesses. The information is managed remotely and updated daily so your guests are seeing what your local community has to offer.

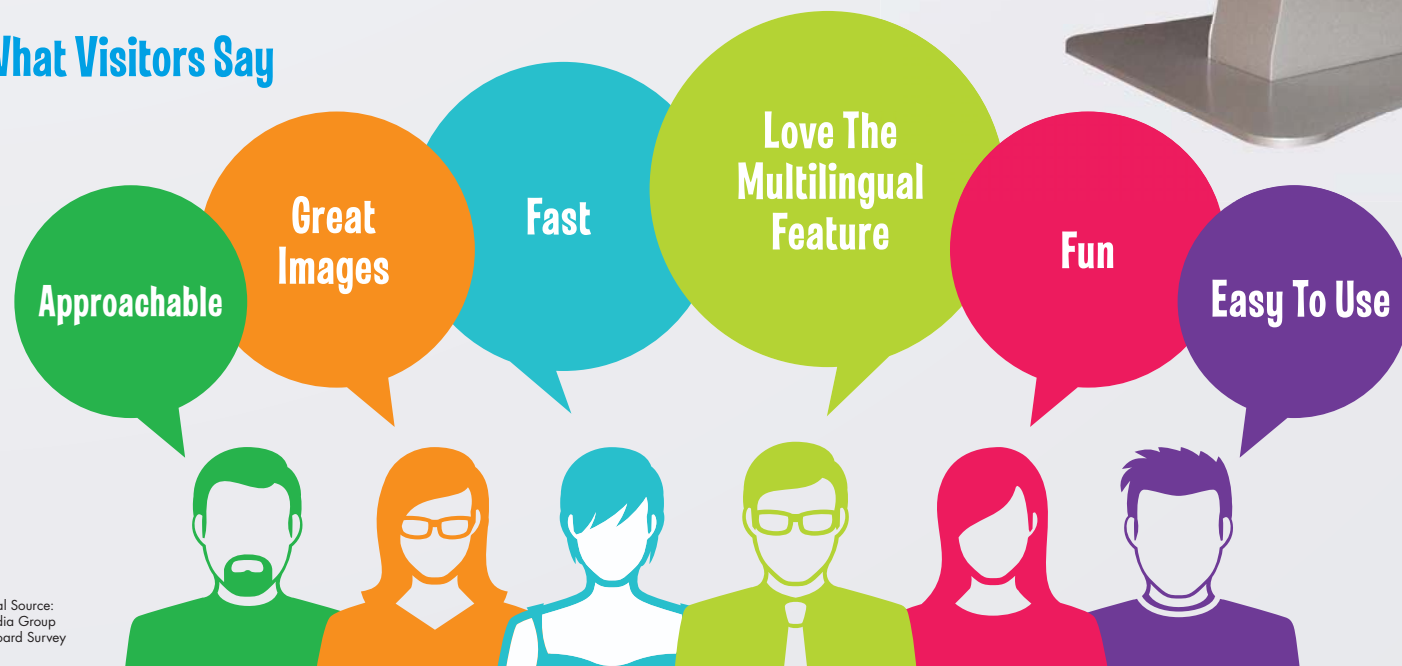


Feature Your Amenities

Engage with your guests 24/7 and promote all that your property has to offer in the way of fun and relaxing activities. Showcase your restaurant(s) and bar areas, pool and spa, golf and other fun activities. Entice your guests to spend more time on-site and enjoy what you have to offer. As your guests discover all that there is to do they may be apt to extend their stay or start planning their next visit.



What Visitors Say




*Statistical Source:
CTM Media Group
ExploreBoard Survey

What You Get

As a Host Location you will be provided a Host Location Profile, prominently featured at the top of the display screen. In addition, as part of the package, you will be provided a Banner Ad and rotating Screen Takeover Ad.

“ExploreBoard has been a valuable visitor resource and compliment to our staff services. It has been very helpful at busy check-in and check-out times and the multilingual translations are great for our international visitors. Our guests have been impressed with the board’s maps, scanning and email features which allow visitors to take content with them on-the-go. Everyone enjoys using it!”

Nadia Atanassola – Front Desk Manager



ExploreBoards are currently engaging millions of travelers in hotels, shopping malls, sporting goods retailers, attractions, airports, and convention centers throughout the USA and Canada.

10 out of 10 visitors found ExploreBoard helpful in planning their recreational activities.

9 out of 10 visitors are likely to visit an attraction they saw on ExploreBoard.

9 out of 10 visitors became aware of a business on ExploreBoard

Atlanta | Baltimore | Boston | Brooklyn | Cape Cod | Central Pennsylvania | Chicago | Cleveland | Connecticut | Hudson Valley
Kansas City | Key Largo | Miami | Milwaukee | New Hampshire | New Jersey | New York City | Ohio Amish Country
Ontario | Ottawa | Palm Beach | Philadelphia | Pittsburgh | St. Louis | Sandusky | Toronto | Washington, DC

CONTINUING TO ROLLOUT IN 2017 | Seattle | Los Angeles | Orange County | San Diego | San Francisco | SF Airport Area | Vancouver | Dallas | San Antonio | Houston | Denver | Las Vegas | New Orleans | Portland | Phoenix